



**SYSTEM
PERGOLA**

PERGOLA SB 350

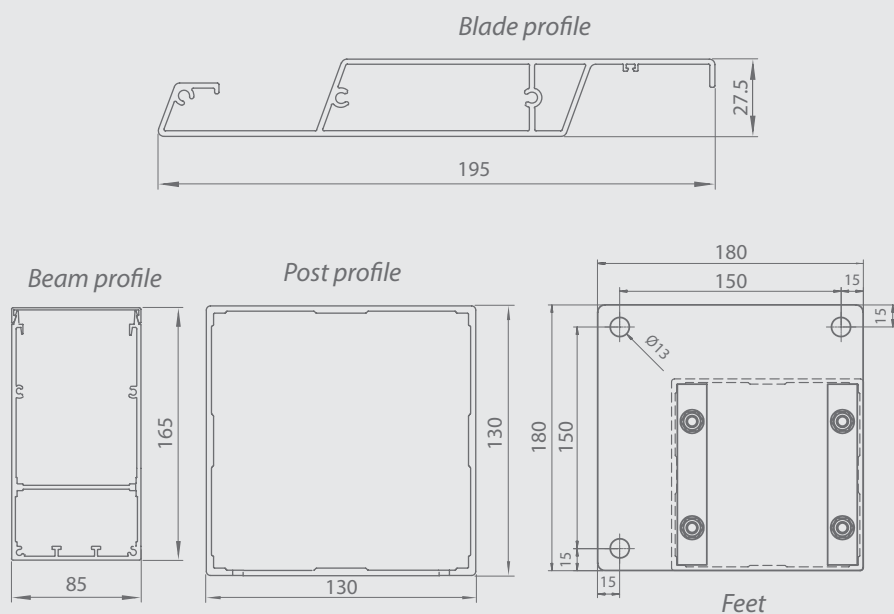


Electric drive	yes
Available projection	3.40 m 3.85 m 4.30 m 4.75 m
Fixed width	3.5 m
Height in the recess	2.5 m
Beam height	165mm + 81 mm blades opening
Water drainage system	yes

Available construction/blades colours:

○ RAL 9016 mat

● RAL 7016 mat





Properties:

- System available in fixed dimensions acc. to the table
- Only free-standing version available
- Blade rotation angle 120°
- Possibility to choose blades and construction in two available colours
- It is not possible to paint in other colours
- Blade drive unit hidden in the beam
- The upper chamber with a revision allows convenient distribution of electric installation
- The set includes a 24V pergola motor and a remote control
- System can be controlled via the app
- Flat blades

A modern office interior featuring a grey sofa, two yellow chairs, and a glass-walled meeting room. The room has a dark carpet, a white ceiling with recessed lighting, and large windows. The text "SYSTEM REFLEKSOL" is overlaid on the bottom right of the image.

SYSTEM REFLEKSOL

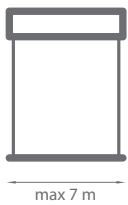
REFLEKSOL 120 ZIIP

Colour	RAL
Electric drive	yes
Manual drive	no
Maximum width	7 m
Maximum height	4 m
External use	yes
Internal use	no

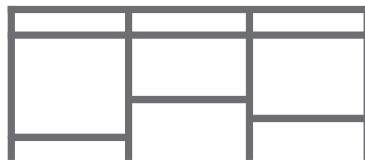
Standard construction colours:



Colours from SELT palette
pages: 150-151



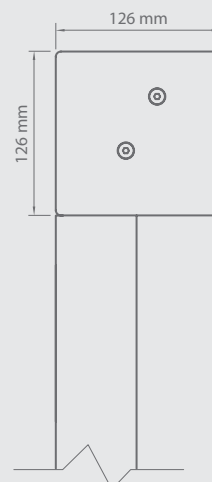
External



Group installation



Cassette dimensions





Properties:

- *Wind resistance class 6*
- *Extruded aluminium cassette dedicated for niche and facade installation*
- *ZiiiP mechanism*
- *Two-piece guide rail with compensating gaskets*
- *Option to create modules using modular brackets*
- *Self-supporting system*
- *Electric drive*
- *Construction available in any colour from RAL palette (optional)*
- *For width above 4 m and height above 3 m and for all systems above 5 m wide, ZOOMTECH® technology will be used*



Properties:

- Wind resistance class 6
- Cassette for under plaster installation made from aluminium sheet, equipped with an extension enabling external plaster application
- ZiiiP mechanism
- Revision from the bottom of the cassette
- Option to create modules using modular brackets
- Two-piece guide rail with compensating gaskets
- Electric drive
- Self-supporting system
- Construction available in any colour from RAL palette (optional)
- Przy szerokości powyżej 4 m i wysokości powyżej 3 m oraz przy wszystkich systemach powyżej 5 m szerokości zostanie zastosowana technologia **ZOOMTECH®**